

**A range of pipe joints
for sealing gases at high
temperatures and pressures**

Easy push fit assembly

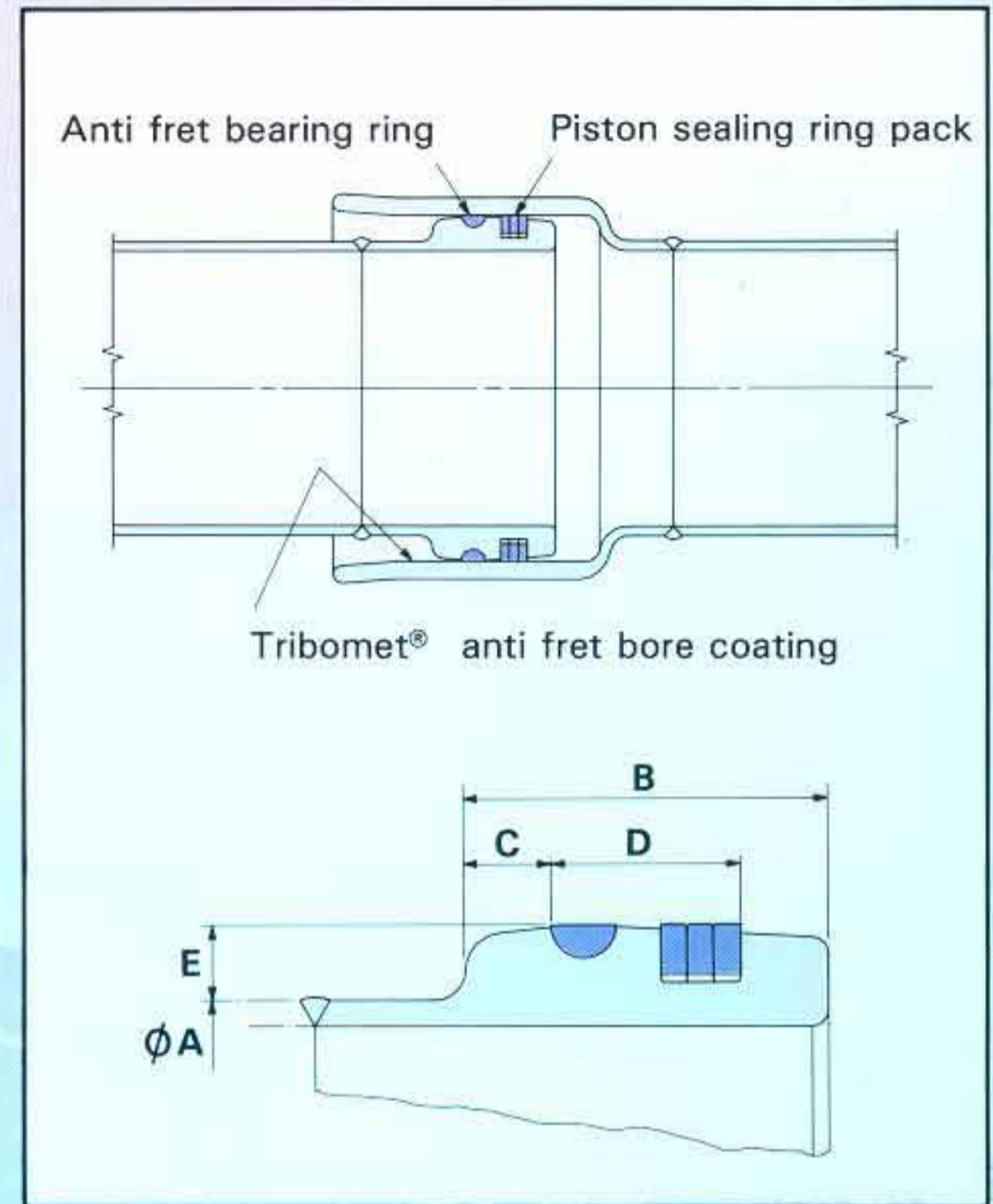
**Accommodates up to 3½°
misalignment**

**Unrestricted rotational and
axial movement**

**Rings made from Haynes® 25
corrosion resisting alloy**

**Bore surface coated with
Tribomet® T 104C Chrome
Carbide/Cobalt composite
coating developed and
patented by BAJ Ltd**

**Typical operating conditions:-
Pressure 250 p.s.i.
Temperature 650°C (1200°F)**



Tribomet® is a registered trademark

Haynes® is a registered trademark of the Cabot Corporation

Typical Dimensions

'A' Nominal Pipe Dia.		B	C	D	E
OVER	UP TO				
.500	.700	.420	.100	.220	.040
.700	1.000	.420	.100	.220	.055
1.000	1.400	.420	.100	.220	.070
1.400	2.000	.468	.100	.268	.098
2.000	2.800	.528	.100	.328	.130
2.800	4.000	.613	.100	.363	.185
4.000	5.500	.760	.100	.510	.245

This table gives preferred dimensions
Joint Designs can be produced for special applications

CROSS MANUFACTURING CO (1938) LTD

Head Office and Factory
Midford Road, Bath, BA2 5RR England
Telephone (01225) 837000 Fax (01225) 834115

Devizes Factory
Hopton Industrial Estate, London Road, Devizes, Wilts SN10 2EY
Telephone (01380) 722421 Fax (01380) 722405