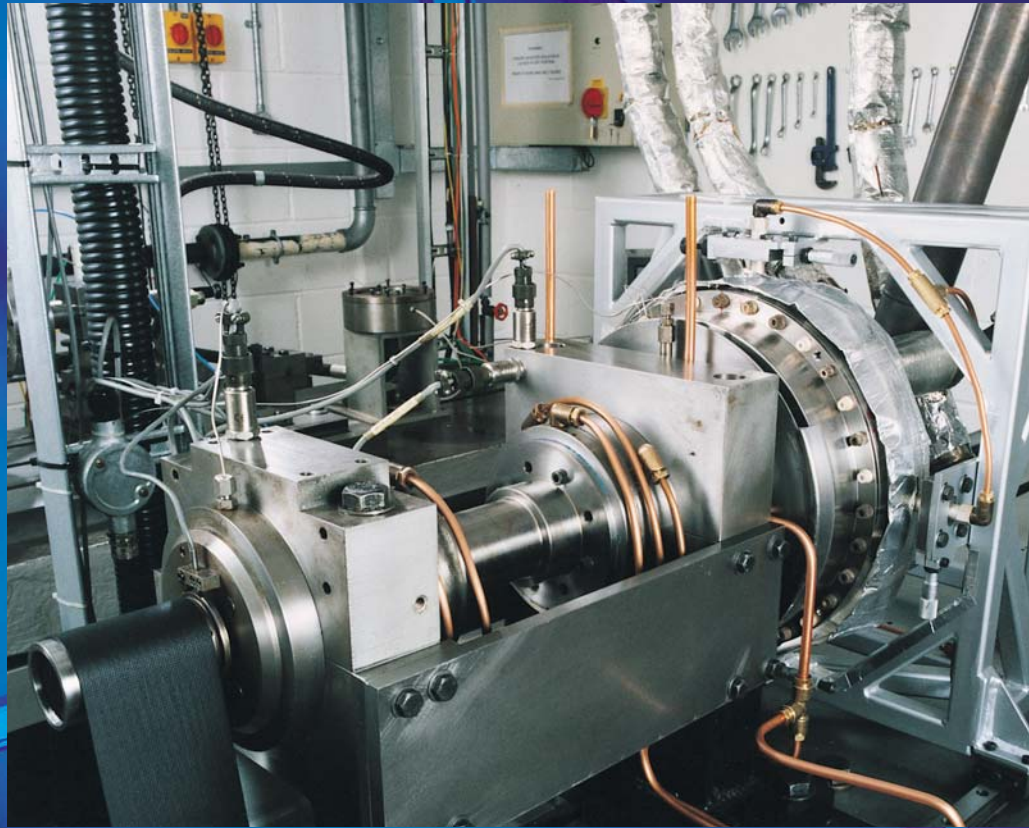


Seal Test Facilities



Static

Dynamic

Ambient

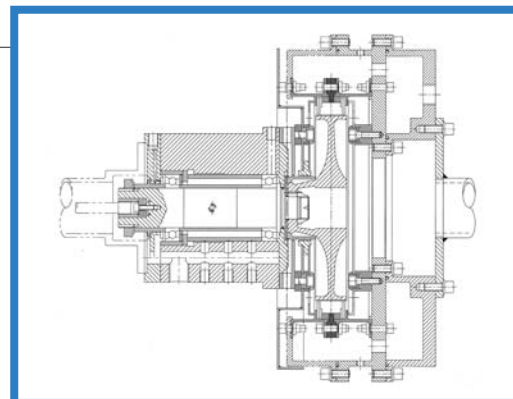
High Temperature

CROSS



The Brush Seal test facilities developed by Cross over the past 15 years have the ability to simulate most operating conditions as indicated below.

Our test rigs are easily customized to suit specific test requirements.



	RIG 1	RIG 2
Maximum Pressure	18 bar (261psig)	18 bar (261psig)
Maximum RPM	20000rpm	38500rpm
Maximum Surface Speed	136ms ⁻¹ (445ft/s)	384ms ⁻¹ (1260ft/s)
Maximum Temperature	Ambient (1200°F)	650°C
Axial Displacement	Yes	Yes
Radial Displacement	Yes	No
Transient Running Capabilities	No	Yes

Different housing arrangements have been developed to more accurately simulate the thermal response rate of Power Generating Gas turbines and Aircraft Engine units.

Eccentric rotors are routinely run to simulate build stack up errors.

All test parameters can be accurately controlled and cycled during testing. Up to 65 channels of data is logged directly into Excel spreadsheets for easy data reduction and transmission.

Static test rigs are also available for production sampling and initial seal evaluation.



Cross Manufacturing Co (1938) Ltd

Hopton Park London Road Devizes SN10 2EY Wiltshire England

Tel: +44 (0)1380 722421 Fax: +44 (0)1380 722405 email: mail@cross-devizes.com

Web Site www.crossmanufacturing.com