

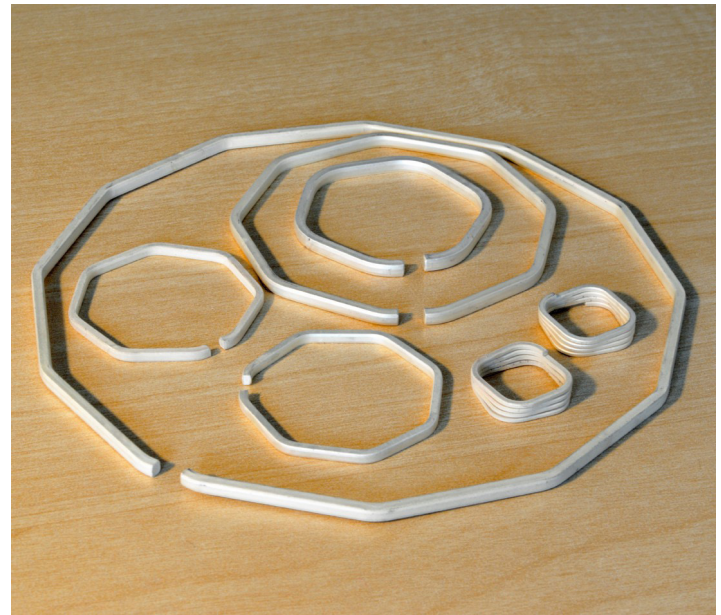
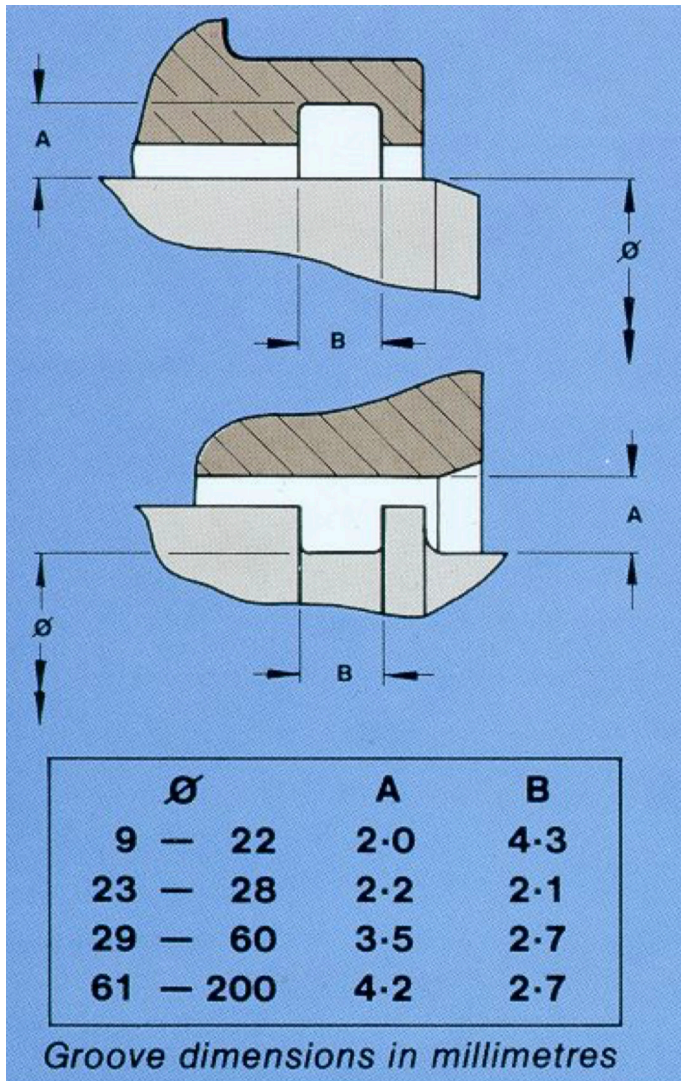
# FRICTION LOCKING RINGS



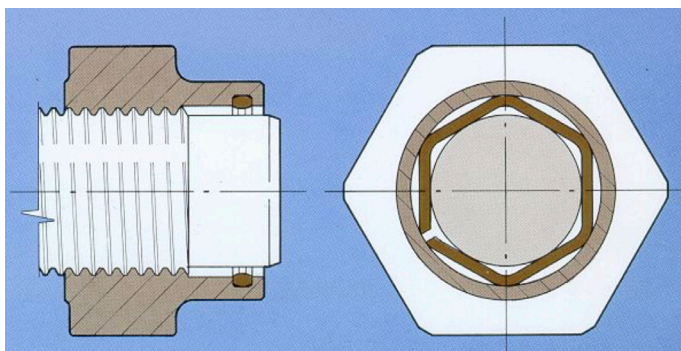
Publication No. CMR042/2, Issue Date: 08/2019

Reusable locking elements suitable for fitting to various threaded assemblies including **Shaft nuts, Pipe fittings, and Back nuts**. Made to ADS standard AS42951; Specials also available.

- The polygonal form provides a friction lock between two diameters
- For internal or external grooves
- Made from heat resisting wire
- Silver plated
- For hot or cold applications
- Self locating
- Locking in positions with difficult access
- Size range 9mm to 200mm



AS9100, Rev D  
ISO9001: 2015  
ISO14001: 2015



**Cross Manufacturing Company (1938) Ltd.**  
Devizes South Factory,  
Hopton Road,  
Devizes,  
SN10 2EU,  
England

**Tel:** +44 (0) 1380 829250  
**Fax:** +44 (0) 1380 722405

sales.aerospace@crossmanufacturing.com  
www.crossmanufacturing.com